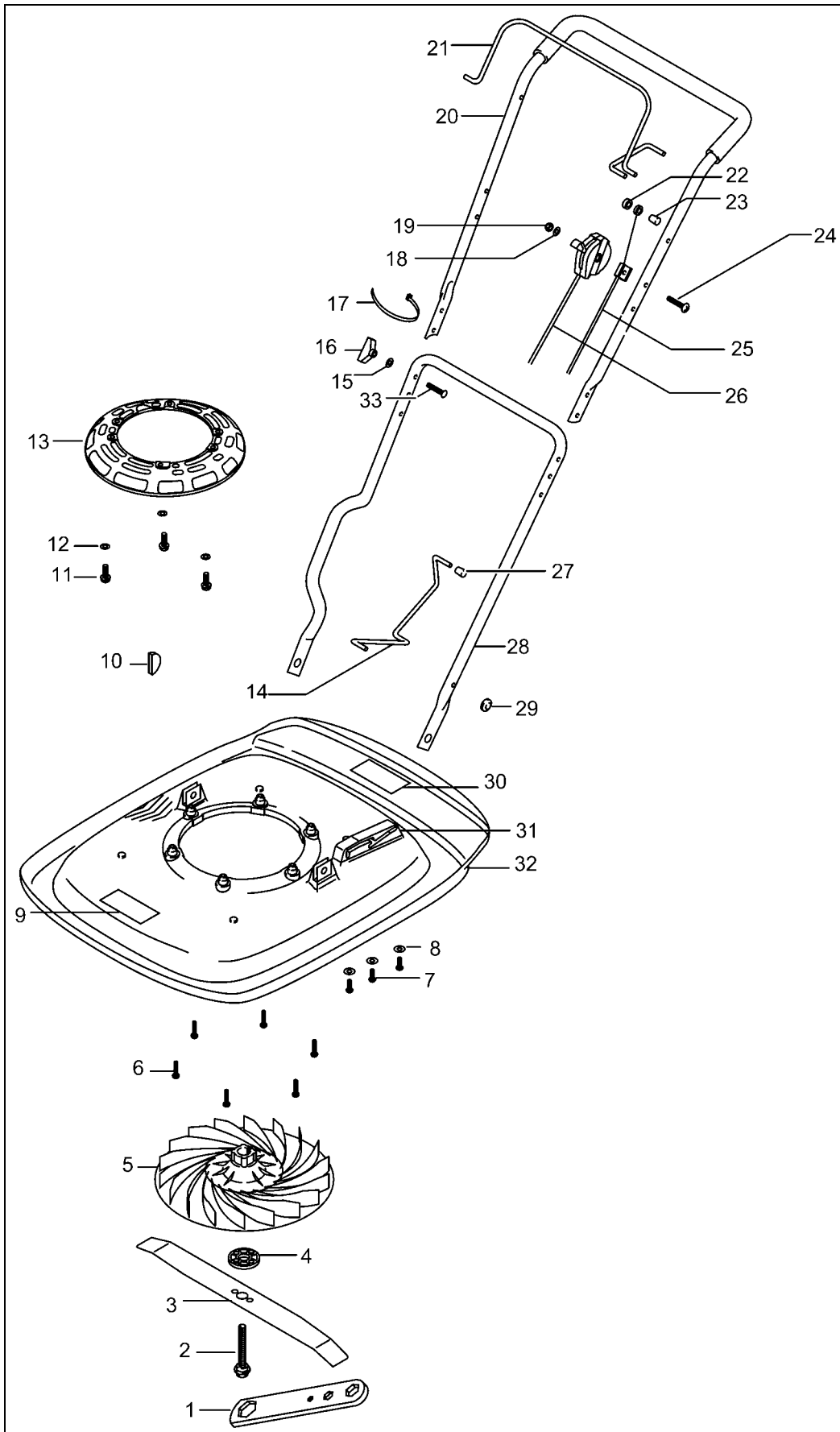




<b>PNC</b>	<b>Type/Prefix/nd</b>	<b>Model</b>	<b>Market</b>
9638507-59	1	XL500	

**Number of Pages 1 of 3**

<b>Factory: FLM - Aycliffe</b>	<b>Product Group: OM 72</b>	
<b>Publication Number: AP0410002</b>	<b>Petrol Hover</b>	
<b>Publication Date: 25/10/04</b>	<b>Sub Group: 1072</b>	



Page No. 3 of 3	9638507-59	XI500
OM	Petrol Hover	Newton Aycliffe

Item	Part Number	Description	Qty	Item	Part Number	Description	Qty
1	513010900	Spanner	1				
2	514667704	Blade Bolt	1				
3	511900400	Blade 51cm	1				
4	513834000	Blade Spacer	1				
5	511900601	Impeller	1				
6	513055800	Screw	6				
7	514919701	Screw	3				
8	514931300	M10 Washer	3				
9	513101500	Label	1				
10	514005300	Key Woodruff	1				
11	513088200	Screw	3				
12	514961900	Washer	3				
13	510683900	Adaptor Plate	1				
14	514042300	Spring Clip	1				
15	514026600	Washer	2				
16	513767900	Wing Nut	2				
17	513084200	Tie Wrap	3				
18	514026600	Washer	1				
19	514718000	Nut	1				
20	511933400	Handle Upper	1				
21	511801000	Bail Arm	1				
22	514927500	Spacer	1				
23	514647600	Knob	1				
24	725238151	Screw M6	1				
25	513084600	Cable Brake	1				
26	512811001	Cable Choke	1				
27	514647600	Knob	1				
28	511924800	Handle Lower	1				
29	514668200	Starlock Washer	1				
30	513093400	Label Warning	1				
31	512621000	Guide Slotted	1				
32	510620620	Hood 47cm					